

cPCI-6860 series

PICMG 2.16 6U cPCI Dual Slot Dual LV Xeon System
Host CPU Module with VGA, GbE and Ultra-160 SCSI



SYMBOL OF EXCELLENCE
WINNER



cPCI-6860



cPCI-6860 with Heatsink

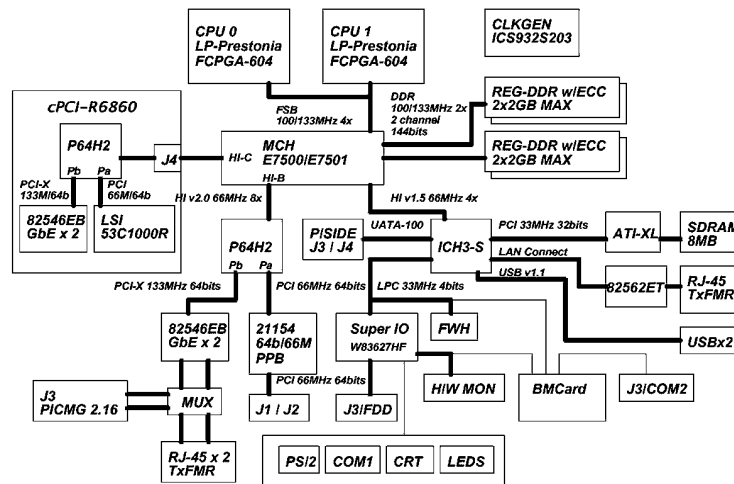


cPCI-R6860

- The cPCI-6860's dual LV Xeon processors, quad Gigabit Ethernet ports and Ultra-160 SCSI interface are combined to provide the highest performance computing solution available today. As a 32/64-bit, 33/66Mhz CompactPCI system board, the cPCI-6860 supports PICMG 2.16 packet switching backplane and optional PICMG 2.9 system management capabilities for high-end computing servers, telecommunication computers, and mission-critical applications.

Features

- PICMG 2.16 CompactPCI Packet Switching Backplane Compliant
- PICMG 2.9 System Management Bus Compliant (optional)
- Standard 6U form factor with 2-slot (8TE/HP) space
- Supports dual 2.0GHz Low Voltage Xeon or single 2.4GHz Xeon processor
- Up to 4GB DDR-200 registered memory with ECC
- 64-bit/66MHz CompactPCI bus
- Quad 10/100/1000Mbps Ethernet ports with single 10/100Mbps port (with cPCI-R6860)
- Ultra-160 SCSI interface, CompactFlash socket (with cPCI-R6860)
- Supports Intel pre-boot execution environment (PXE) for remote boot.
- Supports Remote Console



cPCI-6860 Block diagram

cPCI-6860 series

PICMG 2.16 6U cPCI Dual Slot Dual LV Xeon System Host CPU Module with VGA, GbE and Ultra-160 SCSI

Specifications

CompactPCI Standards	PICMG 2.0 R3.0; PICMG 2.1 R2.0; PICMG 2.9 R1.0; PICMG 2.16 R1.0
Form Factor	6U cPCI (233.33x160mm), 2 slots (8HP) wide
CPU/Cache	Dual Intel Low Voltage Xeon Processors or Single Intel Xeon Processor with 512K L2 cache, 1.6/1.8/2.0/2.4GHz
Front Side Bus Speed	400MHz
Chipset	Intel E7500 with ICH3-S and P64H2
BIOS	Award 4Mb flash memory
RAM	Two 184-pin DIMM sockets, up to 4GB Registered ECC DDR-200 memory
cPCI Bus Interface	Intel 21154BE 64-bit/66MHz PCI to PCI bus bridge 64-bit/66MHz, support 4 bus-mastering devices 32-bit/33MHz, support 7 bus-mastering devices
VGA	ATI RageXL with 8MB VRAM
LAN	Dual 10/100/1000Mbps Ethernet ports by Intel 82546EB, support front panel I/O, rear I/O and PICMG 2.16 Additional dual 10/100/1000Mbps Ethernet ports by Intel 82546EB on RTM (cPCI-R6860) Single 10/100Mbps Ethernet ports by Intel 82562EM, front panel I/O only
IDE	ATA-100, dual channels; built-in 2.5" ATA HDD housing on RTM
Floppy	Standard 34-pin connector on RTM
Flash Disk	Flash2000 2.5" flash drive or CompactFlash socket on RTM
USB	USB 1.1, 2 ports on front panel, 2 ports on RTM
SCSI	LSI 53C1000R Ultra160 SCSI on RTM
Front Panel I/Os	COM1 (RS-232), PS2 KB&MS (combo), VGA, 10/100 LAN x1, Gigabit LAN x2, USB x2
Backplane (rear) I/O	J3: KB, MS, FDD, IDE1, LAN1&2 (PICMG 2.16), Buzzer; J4: COM2, COM3 (management), IDE2, USBx2, VGA, hub-link
Rear I/O Module Options	cPCI-R6860
Watchdog Timer	1~255 sec or 1~255 min software programmable, can generate NMI or system reset.
Other Features	PICMG 2.9 System Management with IPMI V1.0 (optional) Intel PXE pre-boot on Ethernet Remote Console
Operating Temp.	0 to 50°C (inside-chassis temp, CPU type dependant; external air-flow required)
Storage Temp.	-20 to 80°C
Shock	15G peak-to-peak, 11ms duration, non-operation
Vibration	Non-operation: 1.88Grms, 5-500Hz, each axis Operation: 0.5Grms, 5-500Hz, each axis, with 2.5" HDD
Measured Power	Single Xeon 2.0GHz CPU with 2GB RAM: 10.0A @ +5V; 12.2A @ +3.3V; Consumption 0.54A @ +12V Dual Low Voltage Xeon 1.6GHz CPU with 2GB RAM: 11.0A @ +5V; 11.6A @ +3.3V; 0.5A @ +12V
Certificate or Test	CE; FCC class A; HALT

Rear I/O Transition Modules

Model number	Board Depth	Faceplate I/O	On-board I/O
cPCI-R6860	80 mm	COM2(RS-232), COM3 (management), KB, MS, USBx2, VGA, LAN 1~4, SCSI (68-pin), CF slot	FDD (34-pin), IDE1 (44 and 40-pin), & IDE2 (40-pin), 2.5" ATA-HDD housing (68-pin)

Ordering Information

Model number	Description/Configuration
cPCI-6860	PICMG 2.16 6U cPCI Dual Slot Dual LV Xeon System Host CPU Module with VGA, Dual GbE and Fast Ethernet
cPCI-R6860	Superior Rear I/O Transition Module for cPCI-6860, Ultra-160 SCSI and extra dual GbE

Note 1: Front CPU modules and rear I/O transition modules are sold separately

Note 2: All front boards come with special designed heat-pipe copper-made heat-sink

Note 3: CPU, RAM or HDD are not included.